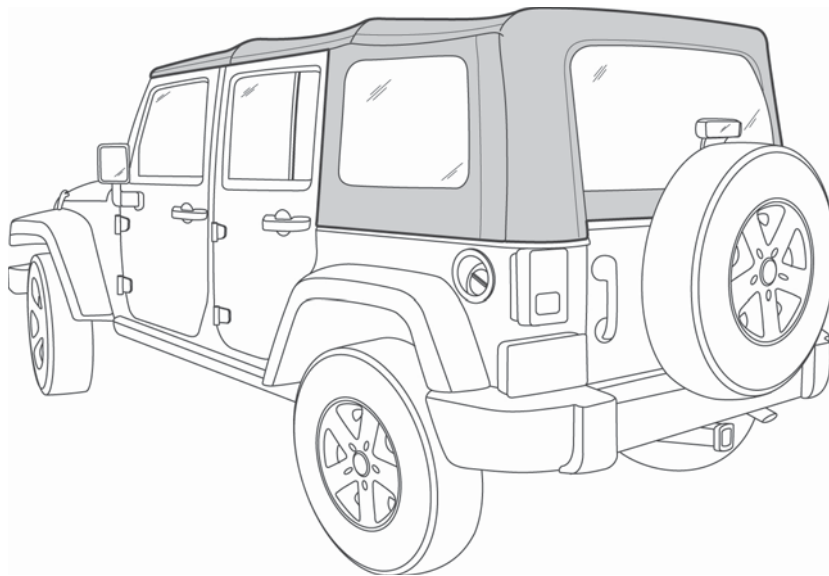




JEEP WRANGLER

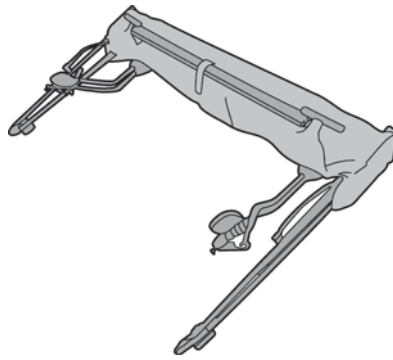
4 Door Top Kit



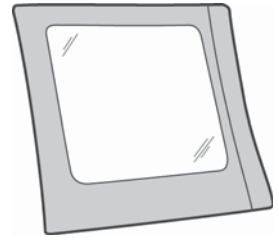
82213651
82213652



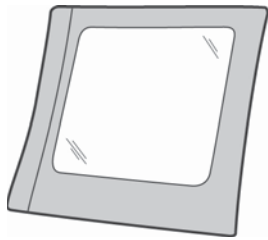
A 1X



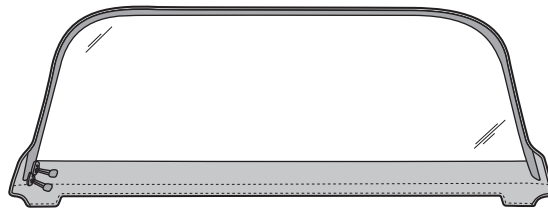
B 1X



C 1X



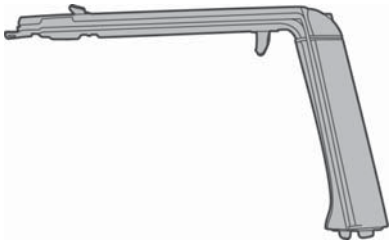
D 1X



E 1X



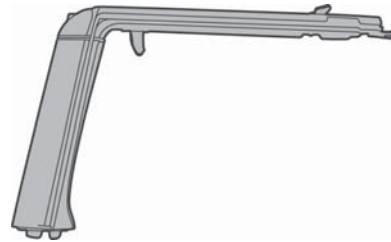
F 1X



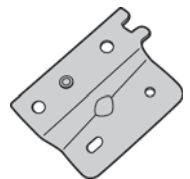
G 1X



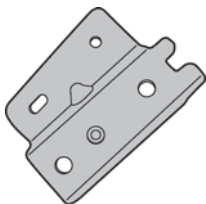
H 1X



I 1X



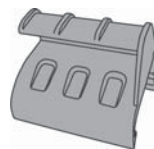
J 1X



K 1X



L 1X



M 1X





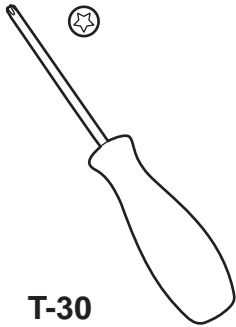
N 4X



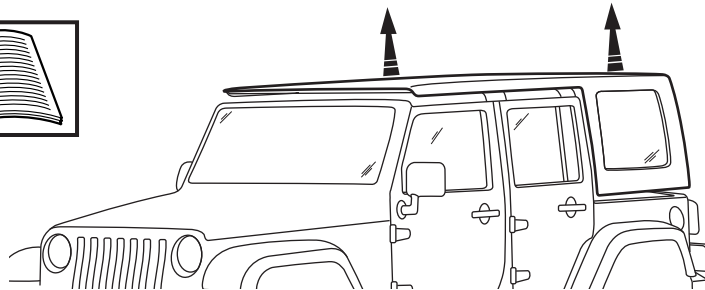
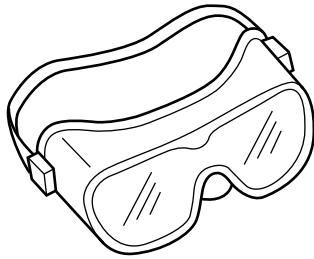
O 2X



P 8X

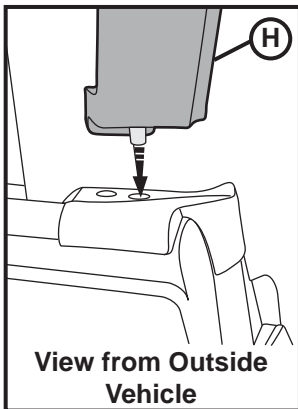


**T-30
Torx**

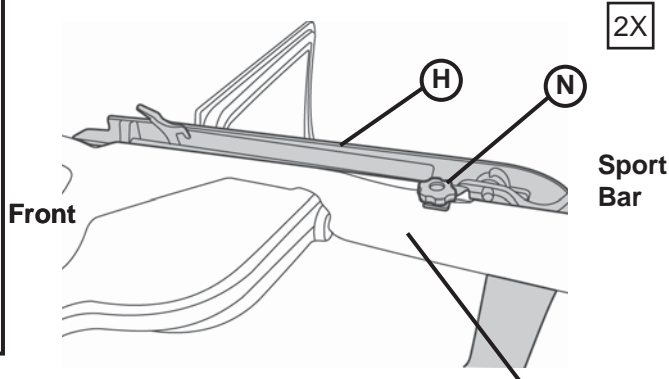


**Remove the hard top.
Refer to owner's manual
for instructions.**

1



**View from Outside
Vehicle**



View from Inside Vehicle

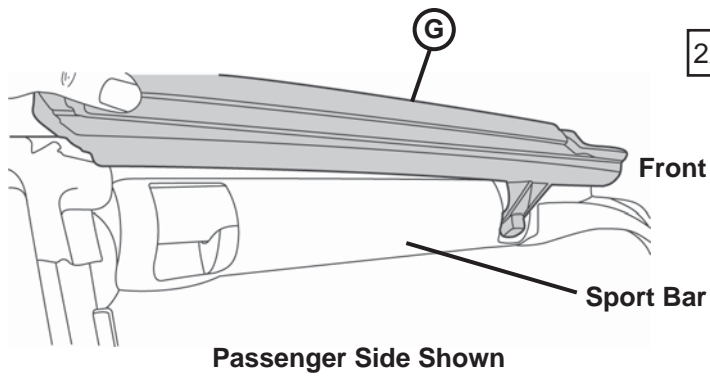
Passenger Side Shown

2X

**Sport
Bar**

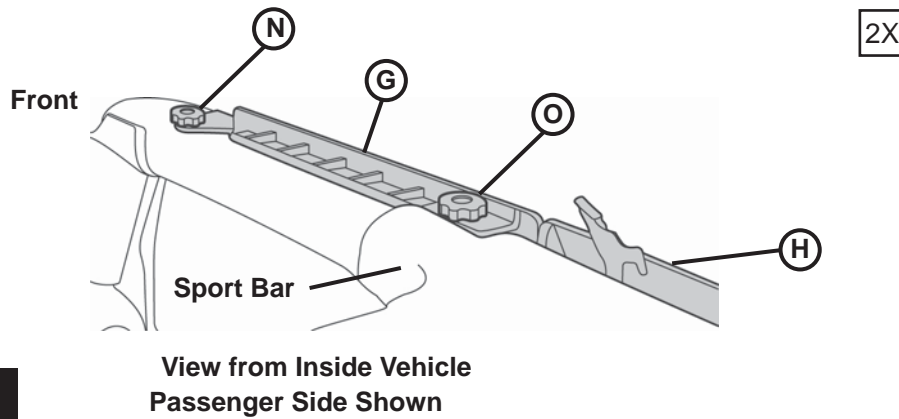
**Locate the left and right
Rear Door Surrounds.
Insert the pin in the bot-
tom of the Door Sur-
round into the hole in
the belt rail behind the
door.
Place a Long Knob
through the tab on the
Door Surround and
tighten.**

2



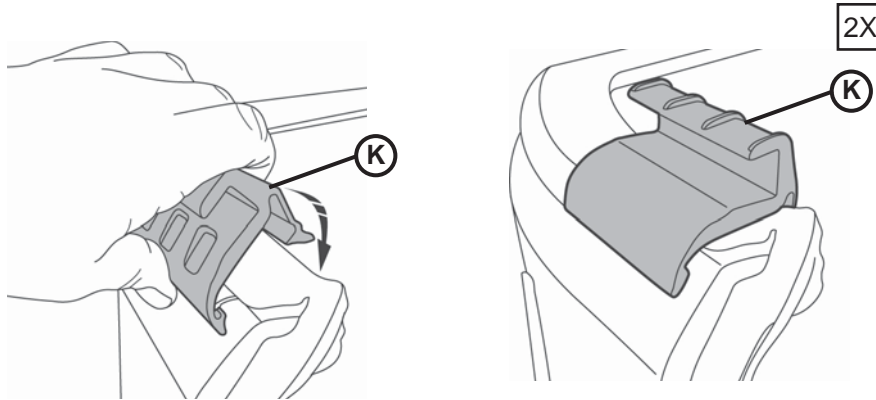
Place the Front Door Rail above the door opening.

3



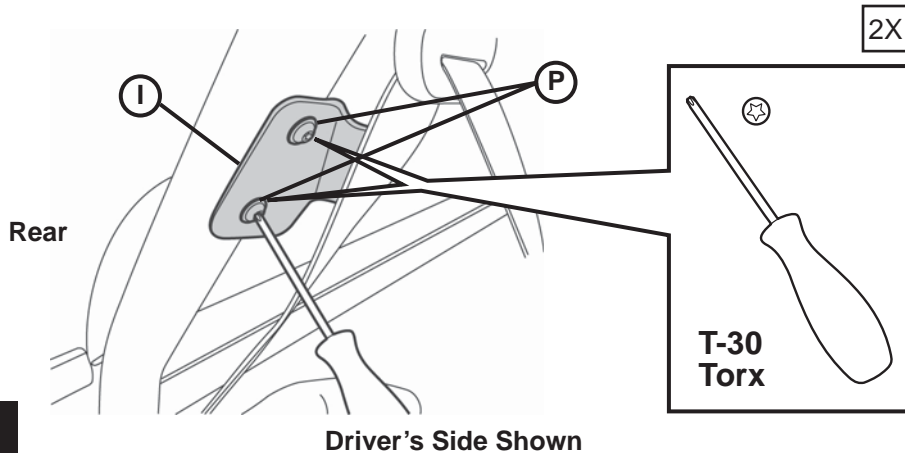
Install a Long Knob at the front of the rail and a Short Knob in the center.

4



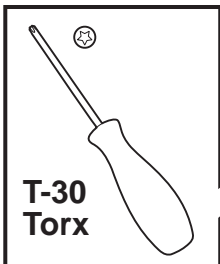
Locate the left and right Tailgate Mounts. Orient them on the vehicle. Hook the bottom of one mount under the belt rail and roll it toward the inside of the vehicle until it clips into place. Repeat this with the other Tailgate Mount.

5

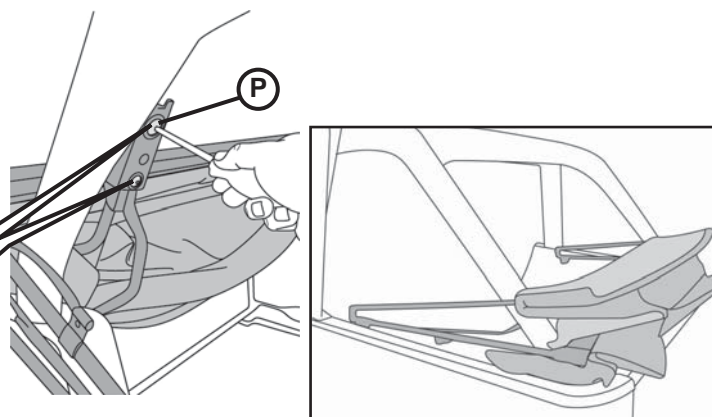


Use Bracket Screws to install Bow Mount Brackets on rear sport bar.

6

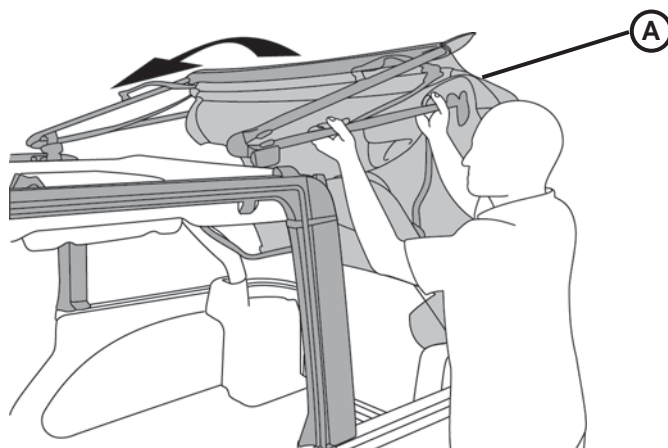


T-30
Torx



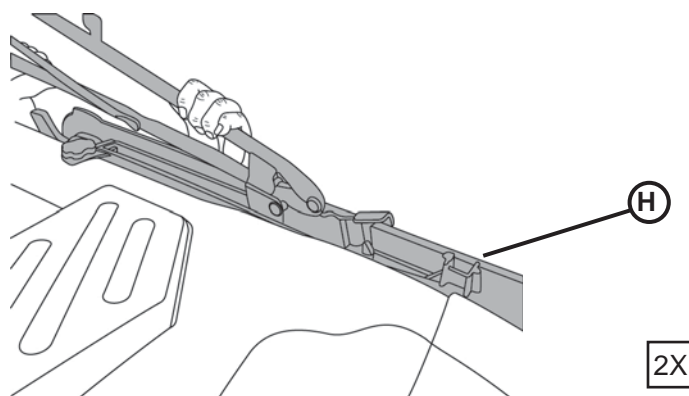
Place the Top Assembly on the vehicle.
Use Bracket Attach Screws to secure the assembly to the Bracket.

7



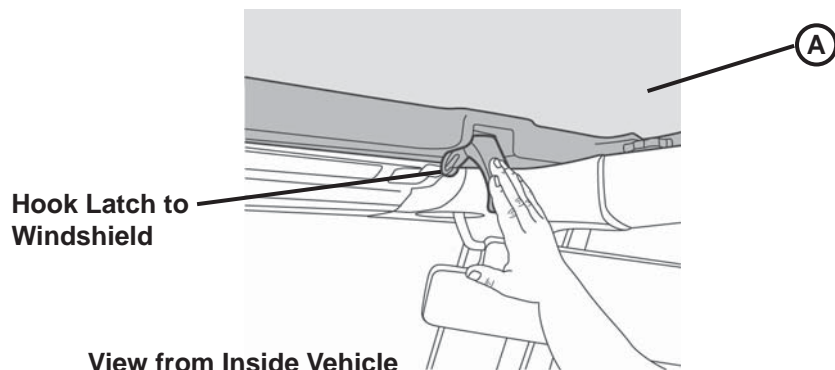
Open the Top Assembly and locate the slider block on top of the Rear Door Surround track.

8



Slide the Top Assembly along the track of the Door Surround until it latches into place.

9



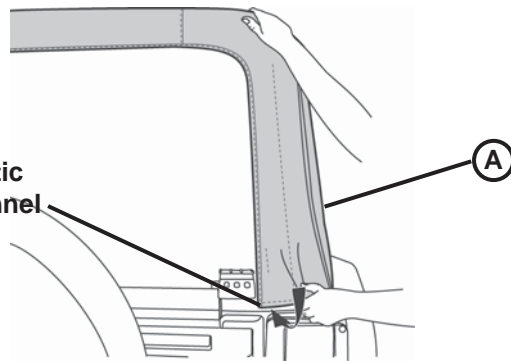
Close the front of the Top and secure the latches on the header to the windshield.

10

View from Inside Vehicle

2X

Roll Plastic
into Channel



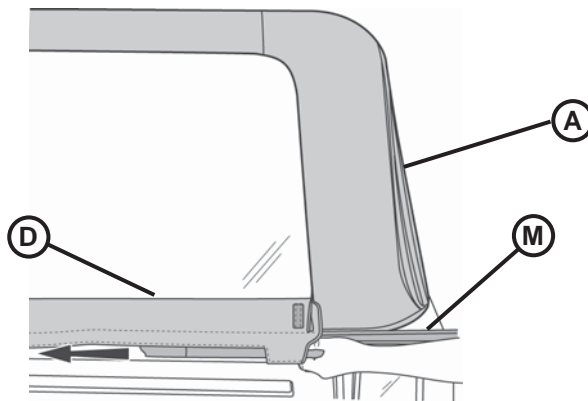
Slip the plastic strip in the rear corners of the Top into the channel on the vehicle.

11



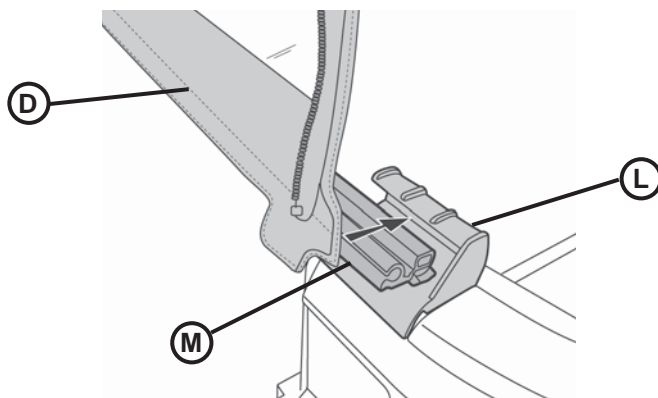
Start the zipper on the Rear Window and close it part of the way around.

12



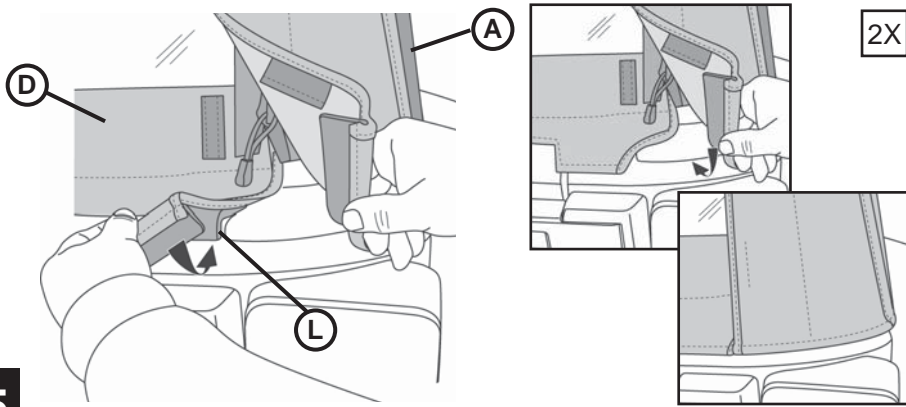
Slide the channel in the Tailgate Bar onto the tubing along the bottom of the Rear Window on the inside.

13



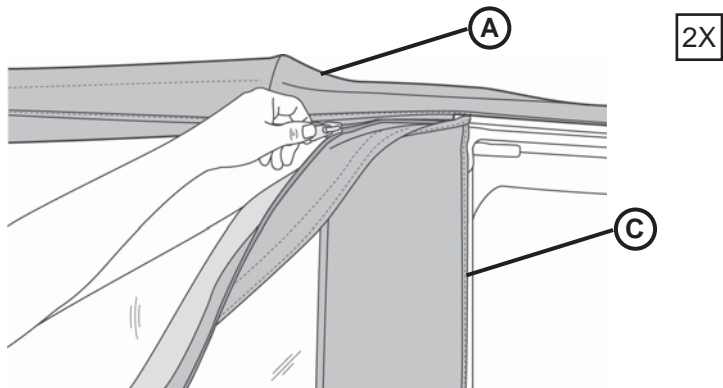
Slide the Tailgate Bar into the Tailgate Mounts on each side of the tailgate opening.

14



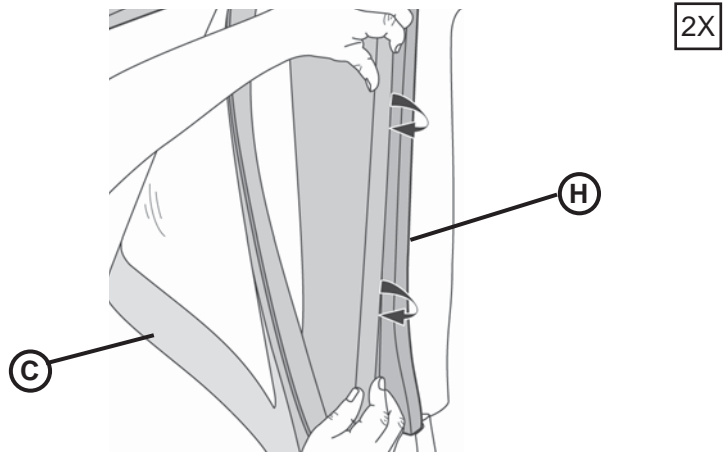
Slip the plastic strip in the Rear Window and Top into the channel on the vehicle.

15



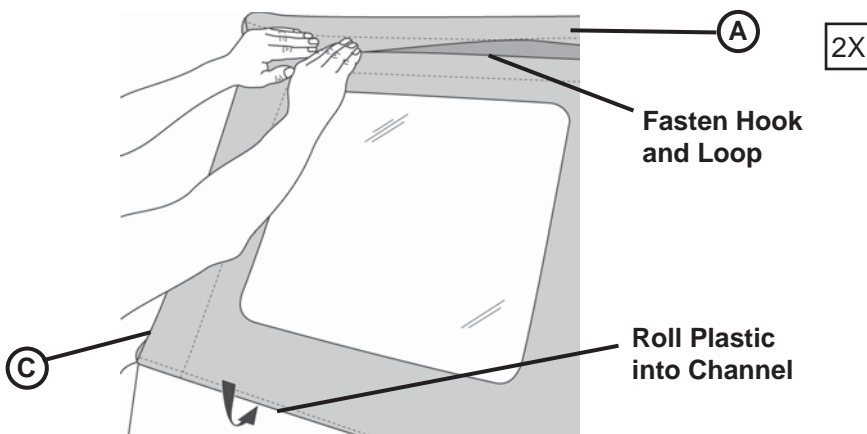
Start the zipper on the Side Window and close it 1-2 inches.

16



Roll the plastic strip along the front of the Side Window into the channel in the Door Surround.

17



Close the zipper and slip the plastic along the bottom of the Side Window into the channel on the vehicle. Fasten the hook and loop strip above the window to the top.

18